



CLOUDS

WAFFLE SLANTED CLOUDS 007
CLD-WSL-007



PRODUCT GUIDE



LIGHTWEIGHT

Super light material opens up options for ceilings and surfaces.



POWERFUL ACOUSTICS

High Noise Reduction Coefficient.



FIRE-SAFE

ASTM E84: Class A tested and compliant.



VOC FREE

CDPH Standard Method V1.2 School Classroom and Private Office Compliant.



CUSTOM SIZING

Custom-sized products arrive installation ready.



SUSTAINABILITY

Made from 60% recycled content and is 100% recyclable.



LOW MAINTENANCE

A light dusting is all you'll ever need.

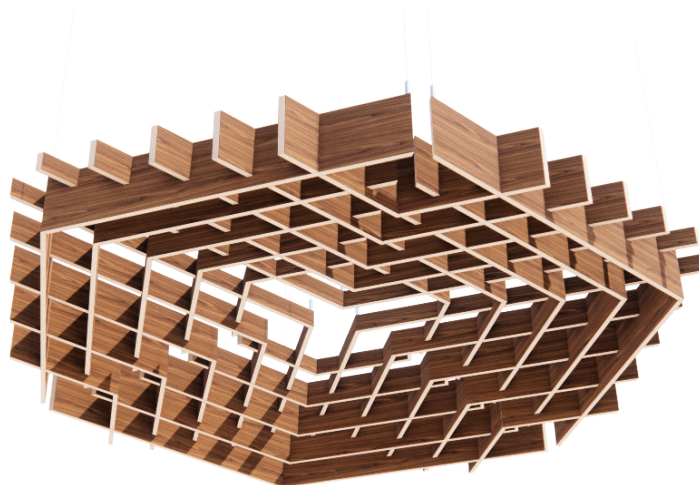


LEAD TIME

2-4 weeks with vast color options.



SPECIFICATIONS

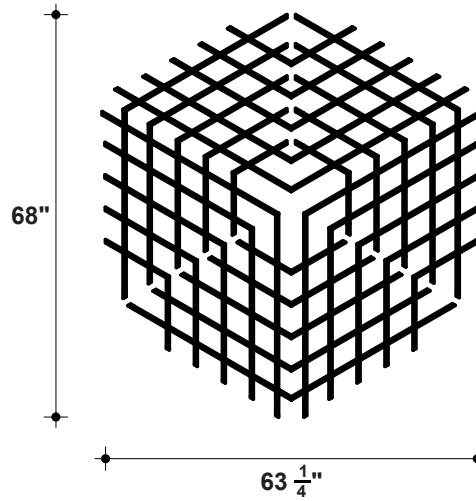


PRODUCT ID	CLD-WSL-007
CONTENT	Soundcore® Recycled PET acoustic felt
DURABILITY	Impact resistant, shock absorbant
WEATHERING	Non-deteriorating, non-hygroscopic, colorfast
MAINTENANCE	Clean with vacuum or light dusting
WARRANTY	Comes with industry-leading standard warranty
ENVIRONMENTAL	LEEDv4, VOC free, 100% recyclable, non-toxic, non-allergenic, anti-microbial
INSTALLATION	CSI Installation Systems are product specific (see Installation page)
ACOUSTICS	0.65NRC
FLAMMABILITY	ASTM E84: Class A

TECHNICAL

LENGTH

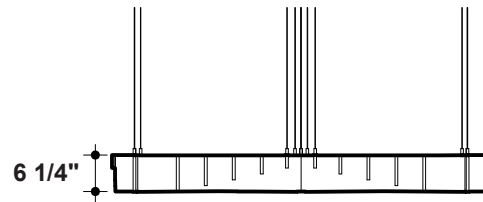
68"
custom depths available



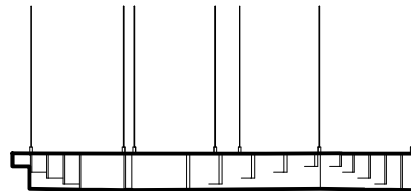
WIDTH

63 1/4"
custom widths available

① TOP VIEW



② FRONT VIEW



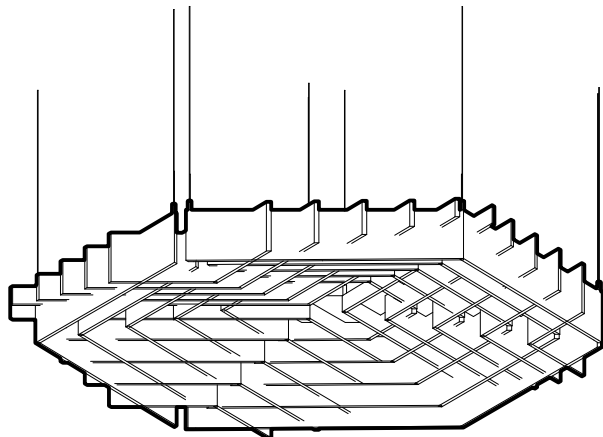
HEIGHT

6 1/4"
custom heights available

MATERIAL THICKNESS

1/2"
custom thicknesses available

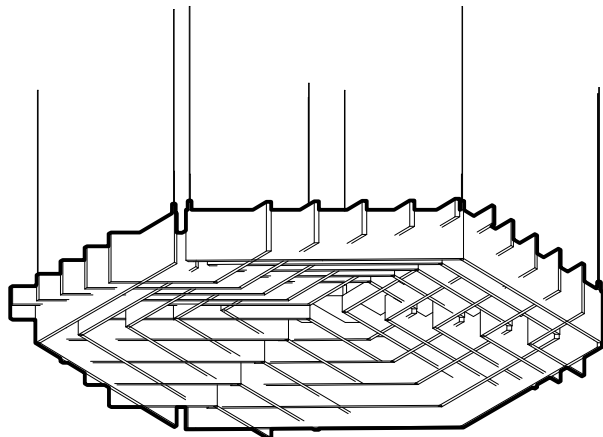
③ SIDE VIEW



SPACING

Varies
custom spacing available

④ PERSPECTIVE VIEW



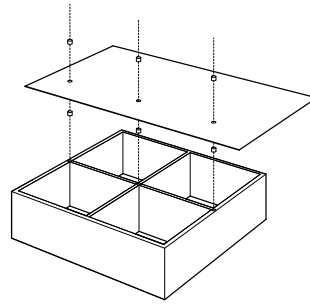
TECHNICAL

Cloud installation systems are designed according to site conditions, and maximize efficiency of installation.

Each solution respects the integrity of the project design, budget, and installs easily with simple tools.

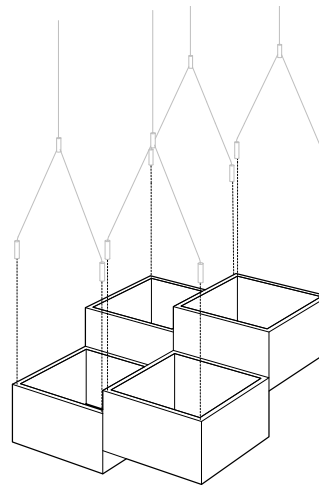
DIRECT ATTACHMENT SYSTEM

Attachment solution for pre-constructed ceiling substrates with low-height limitations. Requires minimal skilled installation labor. Ideal for remodeling spaces.



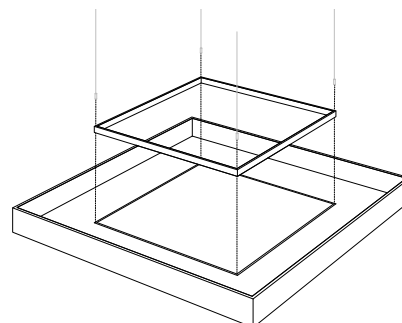
INDIVIDUAL SUSPENSION SYSTEM

Attachment solution for enhanced design through suspension. Allows for optimal configuration and flow. Easily installed in post-construction phase.



MODULAR RAIL SYSTEM

Rail-constructed attachments offer stronger structural support and secure attachment points for acoustic clouds that require it.

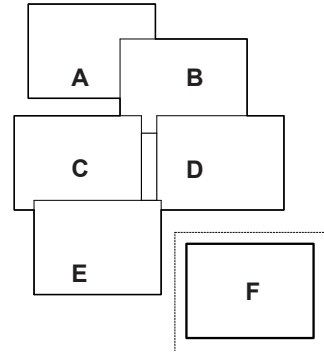


SITE CONDITIONS

MODULAR SYSTEM CONFIGURATION

Modular systems can be configured to fit site conditions when considered during the design phase.

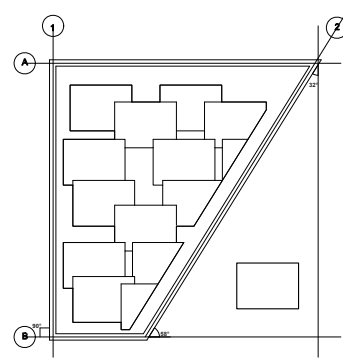
Optimized configurations save on material costs, provide a hassle-free installation, and reduce labor costs.



CUSTOMIZED FABRICATION PER SITE CONDITION

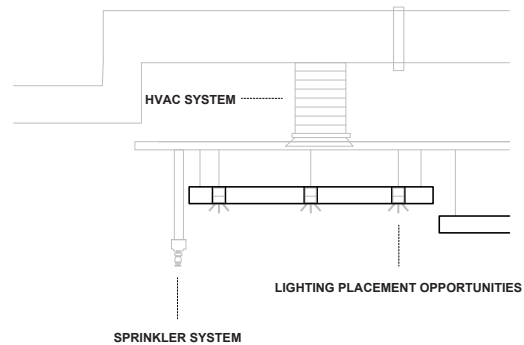
When engaged in the design phase, we fabricate custom cloud modules fitted to the shape of your space.

This reduces the need for on-site cutting by installation crews, saving money in material and labor.



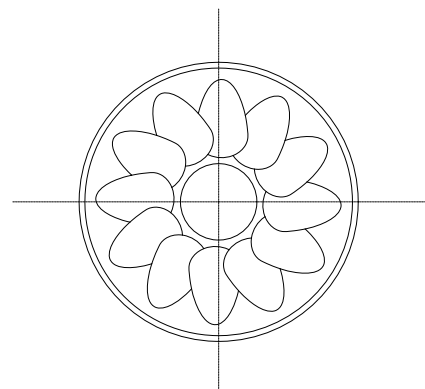
MEP INTEGRATION

The modular rail system allows for easy mechanical, electrical and plumbing integration. During design development, we coordinate with your team of MEP consultants to uphold your construction schedule.



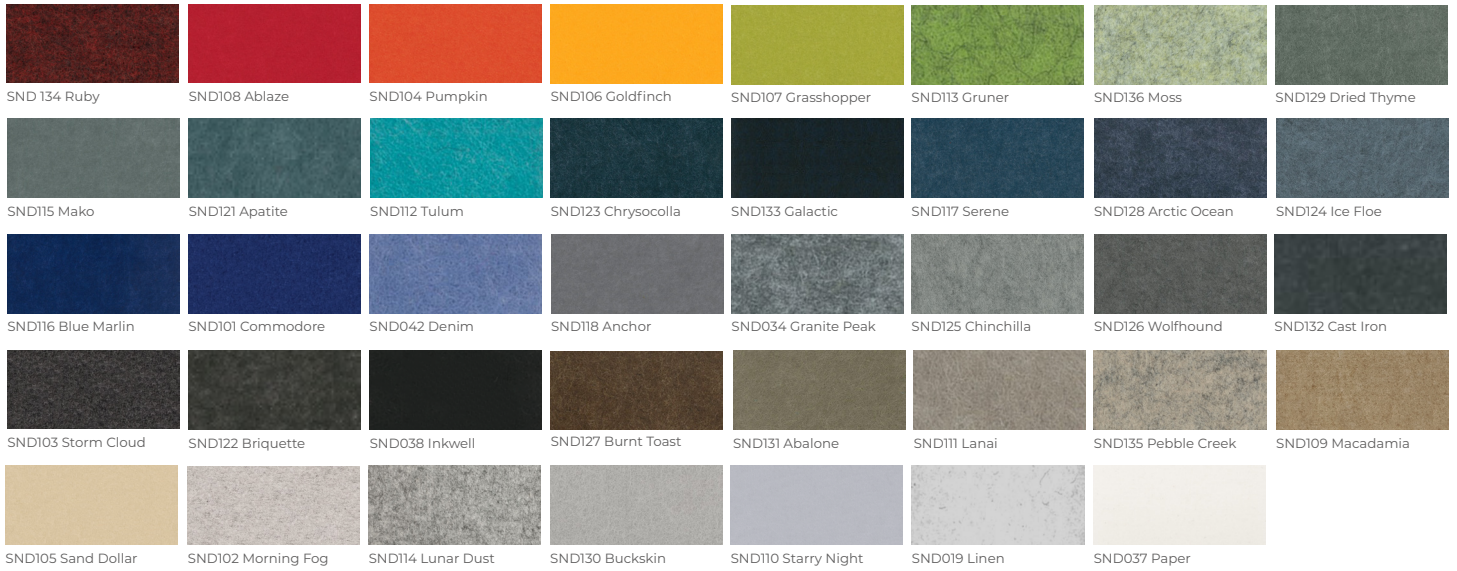
RADIAL SITE CONFIGURATION

Product configuration can be customized beyond our listed offering to respect design intent and functional integration.

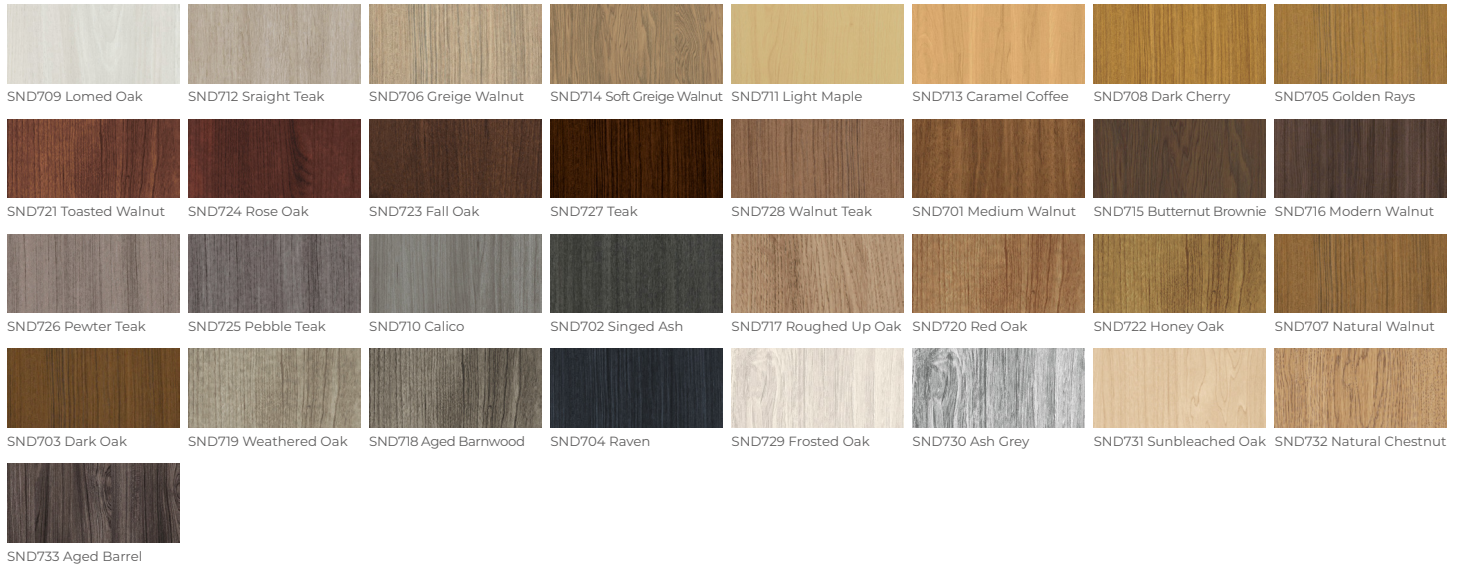


COLORWAYS

SOUNDCORE® RECYCLED PET ACOUSTIC FELT



SOUNDCORE® WOOD TEXTURES RECYCLED PET ACOUSTIC FELT



SUSTAINABILITY



RESPONSIBLE INNOVATION

We source our materials responsibly, using 100% recyclable materials. The majority of the material composition comes from post-consumer plastics, which means you're not forwarding the environmental bill to the next generation.

Soundcore® is 100% VOC free (Volatile Organic Compound), which means from day one there will be zero odorous fumes, and zero air toxicity. It's also ASTM E84: Class A fire rated and offers resonant insulation to build a more comfortable environment.

All of these check-boxes make up a surprisingly lightweight, soft-touch panel that we're incredibly proud of.

MATERIAL CONSTRUCTION

60% Recycled PET acoustic fiber.

PRODUCT CERTIFICATIONS

ASTM E84: Class A, VOC Free (CDPH Standard Method V1.2)



OUR MISSION

EXPERIENTIAL SPACES

Our goal is to create spaces that feel better.

It's easy to visualize a space with architectural acoustics, but even the most detailed renderings couldn't convey the experience of actually being there. When sound is properly controlled within a space, it creates focus and calmness that you can actually feel. We want to help you turn off the droning machinery in the back of your mind. We fabricate custom solutions that visually suit your space while building towards a more soothing holistic experience. This creates spaces where people want to be—where they want to work, where they want to sleep, exercise, create, study, and relax.

