

SURFACES

CARVED SURFACES 016
SUR-CRV-016



PRODUCT GUIDE



WOOL FELT

100% organic premium design felt.



POWERFUL ACOUSTICS

High Noise Reduction Coefficient.



FIRE-SAFE

ASTM E84: Class A tested and compliant.



VOC FREE

CDPH Standard Method V1.2 School Classroom and Private Office Compliant.



CUSTOM SIZING

Custom-sized products arrive installation ready.



SUSTAINABILITY

100% organic wool is harvested without animal harm.



LOW MAINTENANCE

A light dusting is all you'll ever need.



TACTILE EXPERIENCE

Soft, plush felt delivers unbeatable touch experience.

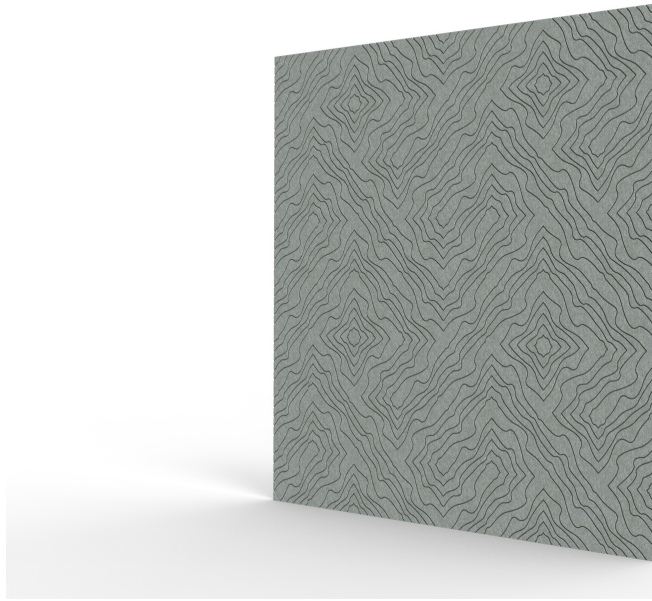


LEAD TIME

2-4 weeks with vast color options.



SPECIFICATIONS



PRODUCT ID	SUR-CRV-016
CONTENT	PoshFelt® 100% organic wool design felt
DURABILITY	Impact resistant, shock absorbant
WEATHERING	Non-deteriorating, non-hygroscopic, colorfast
MAINTENANCE	Clean with vacuum or light dusting
WARRANTY	Comes with industry-leading standard warranty
ENVIRONMENTAL	100% biodegradable/compostable, contains no formaldehyde, 100% VOC free, no chemical irritants, and free of harmful substances
INSTALLATION	CSI Installation Systems are product specific (see Installation page)
ACOUSTICS	0.40 NRC
FLAMMABILITY	ASTM E84: Class A

TECHNICAL

LENGTH

11 3/4"
custom lengths available

WIDTH

5/8"
custom widths available

HEIGHT

11 3/4"
custom heights available

MATERIAL THICKNESS

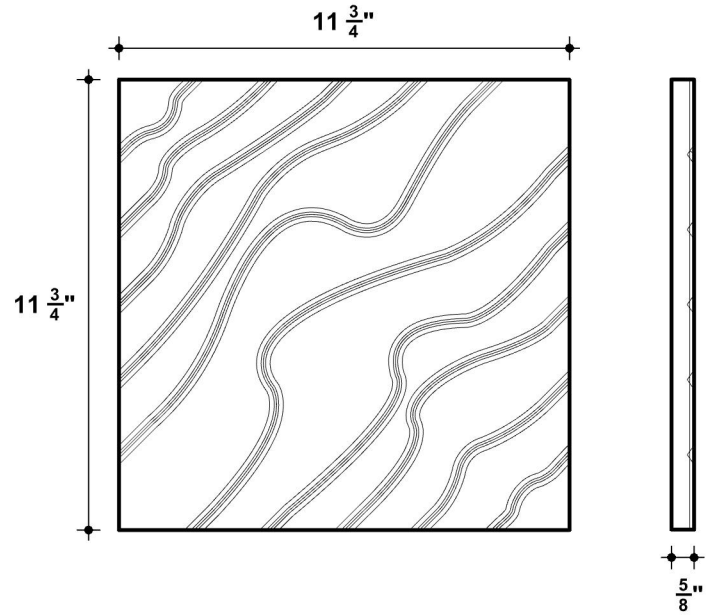
5/8"
custom thicknesses available

SPACING

Varies"
custom spacing available

EDGE

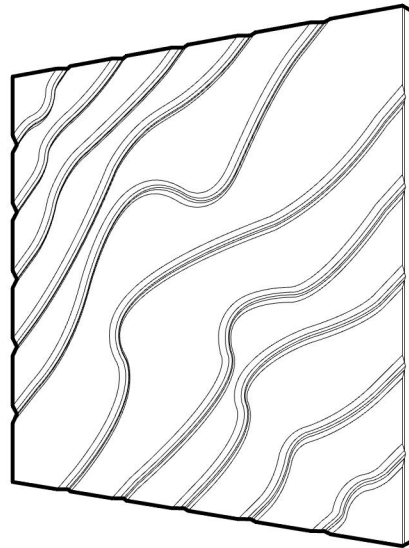
Exposed or covered



① FRONT & SIDE VIEW



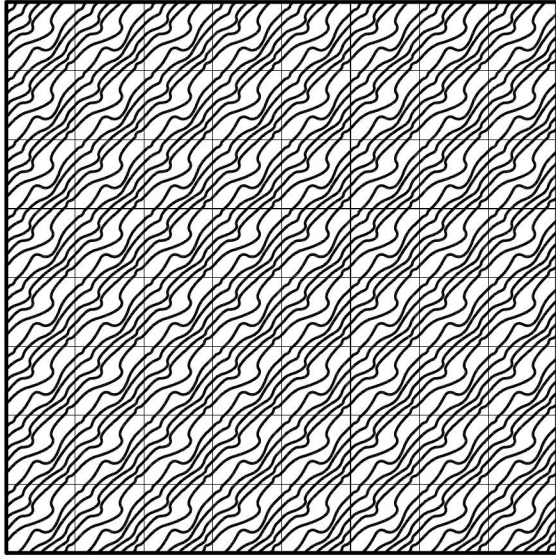
② TOP VIEW



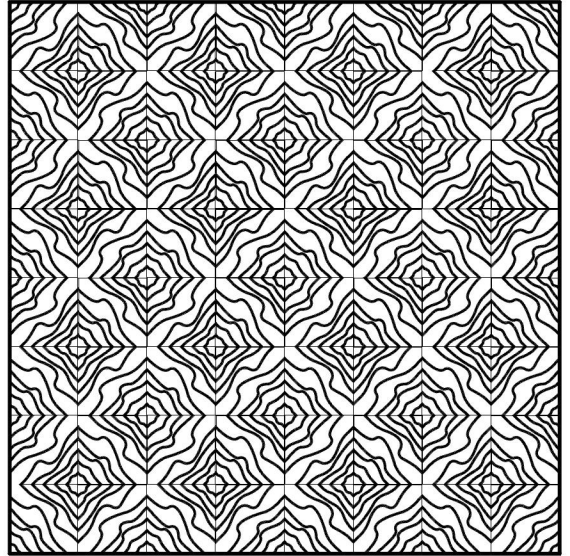
③ PERSPECTIVE VIEW



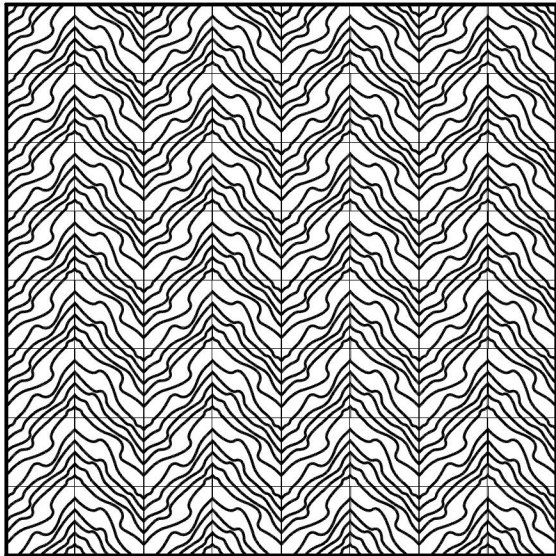
LAYOUT OPTIONS



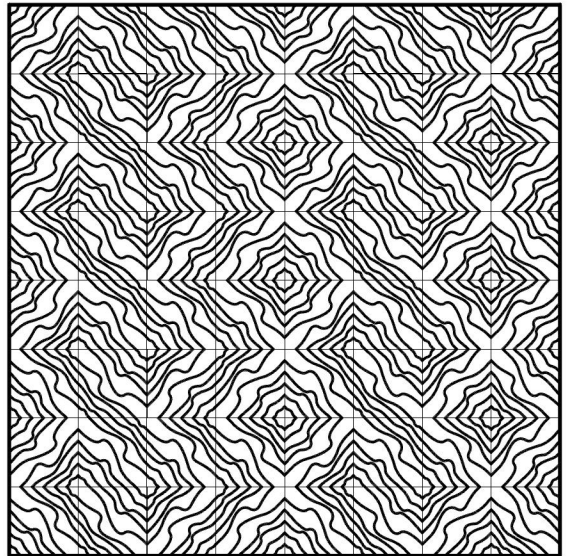
①



②



③



④

INSTALLATION

Surface installation systems are designed according to site conditions, and maximize efficiency of installation.

Each solution respects the integrity of the project design, budget, and installs easily with simple tools.

DIRECT ATTACHMENT SYSTEM

Attachment solution for pre-constructed ceiling substrates using construction adhesives. Requires minimal skilled installation labor. Ideal for remodeling spaces.

PEEL AND STICK SYSTEM

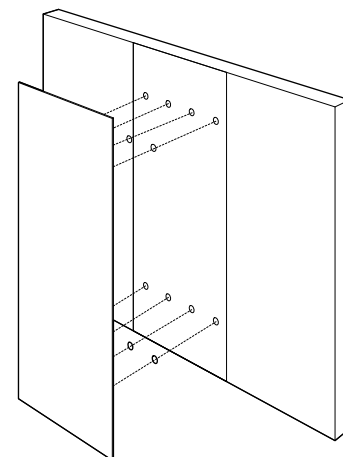
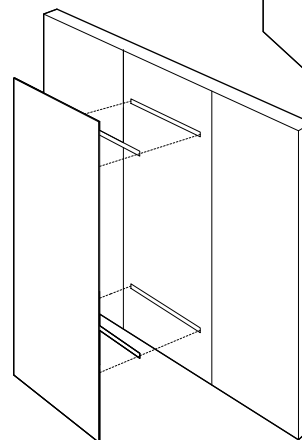
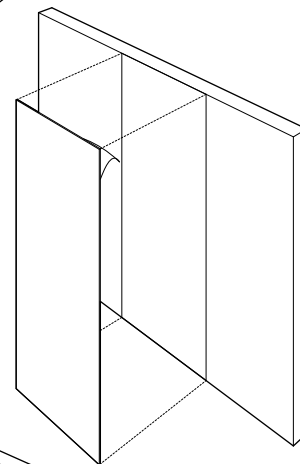
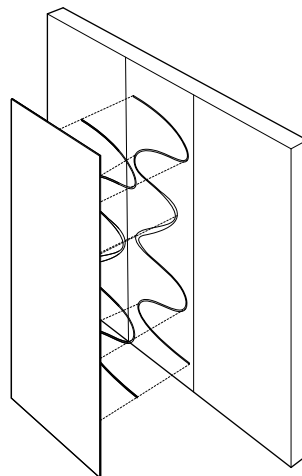
Attachment solution for existing surfaces or substrates using pre-applied adhesive backing. Requires minimal skilled installation labor - simply peel, and stick.

INDIVIDUAL CLIP SYSTEM

Attachment system for hanging multiple panels in series efficiently. Maintains alignment of panels with a drop-in gravity clip system. Easily installed in post-construction phase.

SNAP MOUNT SYSTEM

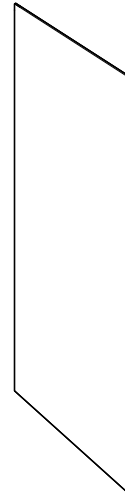
Attachment system for efficient installation via pre-designed modular configurations using snap-locking hardware. Engage us in the design phase for site-specific templates and hardware configurations.



SITE CONDITIONS

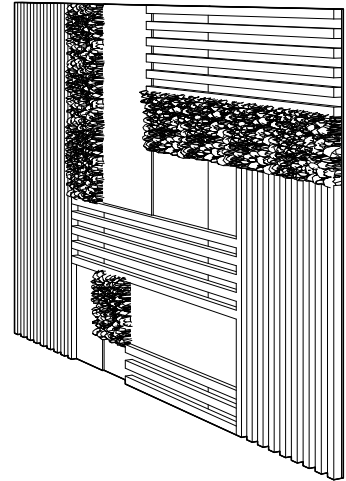
TRANSITION

Surface installations in transition areas are typically simple, low-profile cladding that uses color to assist in wayfinding, and enhances the acoustics of hard surfaces in hallways.



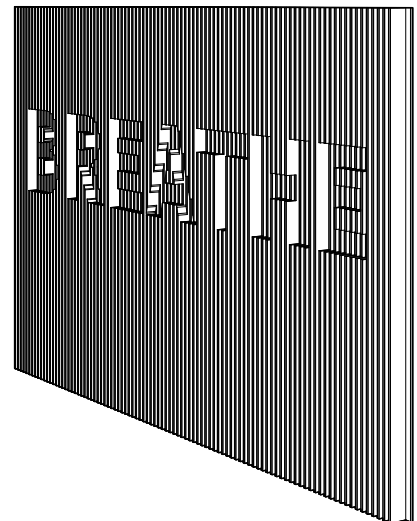
FOCAL POINT

Surface cladding used as a focal point can be infinitely more complex, and can integrate other materials. A focal point gets much more visual attention than transition spaces, and serves artistic merit as well as acoustics.



BRANDING

Any product can be designed with integrated branding opportunities, from color choices to lettering, carving, graphic displays and more.



COLORWAYS

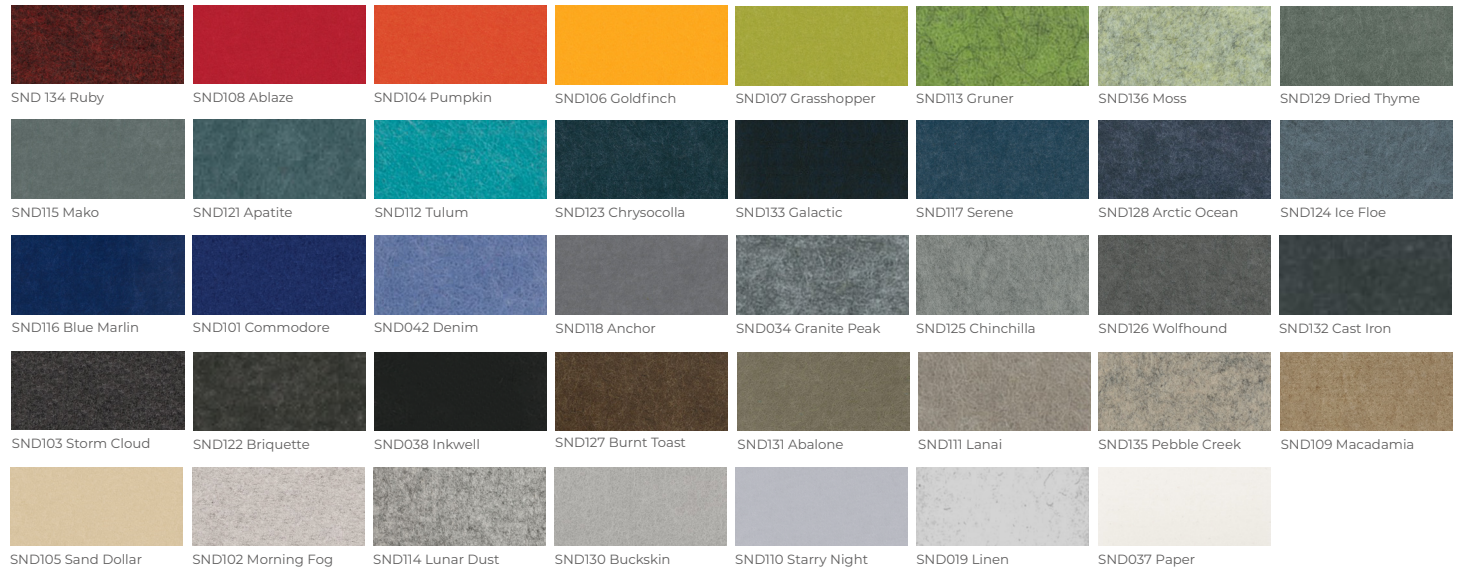
POSHFELT® 100% ORGANIC WOOL DESIGN FELT

							
PSH211 Cherry Chutney	PSH210 Sangria	PSH009 Poinsettia	PSH139 Cayenne	PSH308 Scarlet	PSH527 Red Velvet	PSH008 Bonfire	PSH296 Paprika
							
PSH307 Orange Nectar	PSH220 Red Earth	PSH525 Olympus	PSH245 Fire Agate	PSH014 Knockout Orange	PSH218 Citrus	PSH217 Citrine	PSH295 Sunrise Peach
							
PSH261 Pale Ale	PSH509 Hive	PSH251 Summer Dream	PSH015 Goldfinch	PSH216 Lion's Den	PSH305 Dandelion	PSH215 Raincoat	PSH293 Pound Cake
							
PSH013 Parakeet	PSH312 Safari	PSH230 Camouflage	PSH012 Grasshopper	PSH303 Feather Moss	PSH213 Meadow	PSH164 Fresh Lime	PSH223 Matrix
							
PSH225 Everglade	PSH226 Grove	PSH227 Succulent	PSH553 Conifer	PSH228 Forest Haze	PSH311 Emerald	PSH298 Peacock	PSH234 Ocean Trench
							
PSH232 Seaglass	PSH517 Sky Stone	PSH149 Jamaica Bay	PSH152 Blue Nile	PSH260 Twilight	PSH236 Aquamarine	PSH287 Sea Breeze	PSH016 Freshwater
							
PSH306 Swell	PSH237 Hotspring	PSH601 Royalty	PSH278 Squid Ink	PSH502 Pacific	PSH508 Oahu	PSH238 Cobalt	PSH239 Speckled Navy
							
PSH241 Tranquilo	PSH160 Admiral Blue	PSH275 Skyfall	PSH274 Amethyst	PSH286 Viper	PSH142 Plum Purple	PSH205 Mulberry	PSH309 Allium
							
PSH137 Passion Flower	PSH272 Hotwire	PSH273 Ultraviolet	PSH302 Heather Pink	PSH202 Crush	PSH292 Sakura Mist	PSH174 Linen	PSH118 Ivory Lace
							
PSH127 Mocha	PSH291 Gobi	PSH006 Shiitake	PSH178 Fawn	PSH281 Great Plains	PSH301 Tumbleweed	PSH304 Sugar Cookie	PSH503 Savanna
							
PSH509 Cairo	PSH268 Gingerbread	PSH255 Tropical Walnut	PSH253 Toffee	PSH269 Canyon	PSH602 Cafe	PSH504 Earth	PSH146 Auburn
							
PSH212 Vino	PSH248 Mink	PSH003 Otter	PSH505 Garrigue	PSH520 Silt	PSH249 French Press	PSH179 Arctic Seal	PSH001 Gray Matter
							
PSH002 Heather	PSH175 Dovetail	PSH176 Warmstone	PSH004 Porpoise	PSH501 Mire	PSH506 Bracken	PSH180 Iron Ore	PSH161 Black Swan
							
PSH277 Shade	PSH005 Black Beauty	PSH310 Deep Royal	PSH266 Koala	PSH265 Slag	PSH513 Gravel	PSH300 Crevasse	PSH299 Mountain Breeze





BASE LAYER RECYCLED PET ACOUSTIC FELT



SUSTAINABILITY



WHY WOOL?

Wool has a strong track record. As in, thousands of years strong. The first instances of wool as a textile date back to 1500 BC, and for great reason: wool is a sustainable source of workable fiber, harvested without any harm to the animal.

Wool is cleaned and refined into a more cooperative felt product with an array of natural features, including wrinkle resistance, anti-static, high burning point, insulative properties, shock resistance—the list goes on.

MATERIAL CONSTRUCTION

100% organic Merino or Karakul Wool

PRODUCT CERTIFICATIONS

ASTM E84: Class A, VOC Free (CDPH Standard Method V1.2)



OUR MISSION

EXPERIENTIAL SPACES

Our goal is to create spaces that feel better.

It's easy to visualize a space with architectural acoustics, but even the most detailed renderings couldn't convey the experience of actually being there. When sound is properly controlled within a space, it creates focus and calmness that you can actually feel. We want to help you turn off the droning machinery in the back of your mind. We fabricate custom solutions that visually suit your space while building towards a more soothing holistic experience. This creates spaces where people want to be—where they want to work, where they want to sleep, exercise, create, study, and relax.

